

# LUXUS Power LED



The LUXUS power LED is an all purpose LED light for use in ROV and inspection applications. This LED is also ideal for use in combination with the LUXUS colour zoom and LUXUS low light cameras. The LED has an output of 2,750 lumen and is available with different reflectors.

The LUXUS power LED is a wet and dry light that can also be used in the splash zone. The electronics contain an auto resetting thermal protection switch to protect the LED and LED driver from high temperatures.

The LED light can be dimmed with a reference voltage of 0 to 10 VDC or with an analogue resistor. It can be powered with a wide AC range from 90 to 250 V or with a DC power supply from 24 to 32 V. The light comes with SubConn® or alternative customer specified connectors.

The housing is made from sandblasted titanium and has a depth rating of 4,000 metres.

## Features and benefits

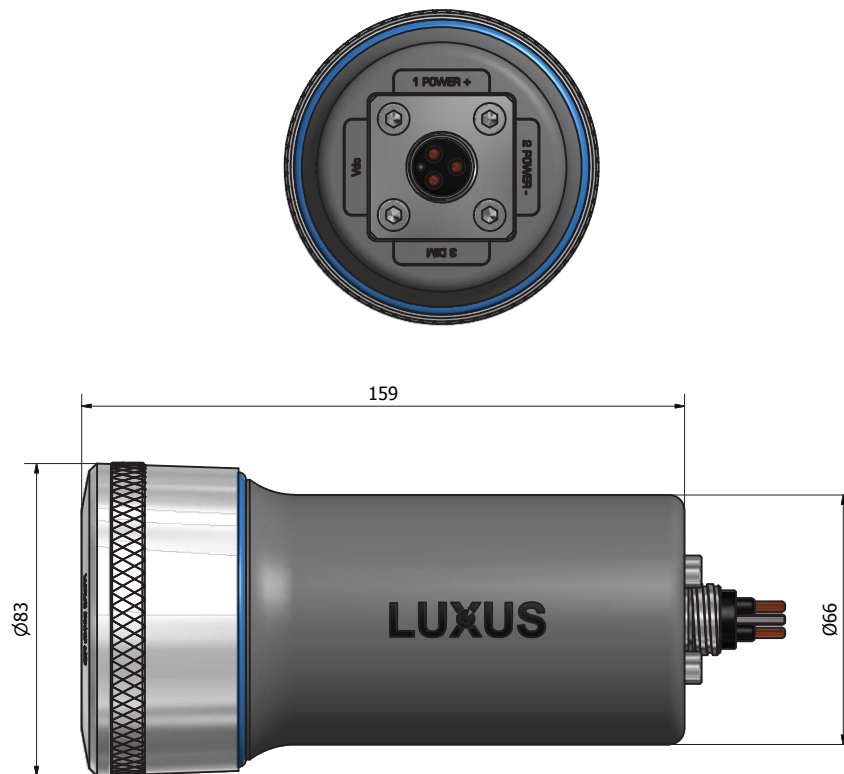
- High output
- Wet and dry
- 4,000 metre depth rating
- Thermal protection

## Applications

- General underwater inspection
- ROV systems
- Trencher systems
- Crawler systems
- Tow and drop camera systems
- Benthic sledge systems
- Underwater observatory systems
- Diving applications

## Options

- A range of different reflectors
- Alternative connectors
- Custom wiring
- LUXUS universal mounting bracket
- RS 232/RS 485 dimming (DC power supply)



## Specifications

### Electrical

Output:	2,750 lumen
Power supply:	24-32 VDC 90-250 VAC / 50-60 Hz
Power consumption:	30 W
Dimming:	0-10 VDC or potentiometer
Standard wiring:	1 power + (DC) 2 power Gnd (DC) 3 dimming (10 VDC)
	1 power (AC) 2 power (AC) 3 dimming (+10 VDC) 4 dimming (Gnd) 5 earth

### Mechanical

Material:	Titanium
Standard connector:	SubConn® FCR1503M Ti (DC power supply) SubConn® FCR1505M Ti (AC power supply)

Other connectors:	On request
Dimensions:	See drawing (mm)
Weight:	1,500 g in air 875 g in water
Window/Lens:	Borosilicate glass
Thermal protection:	Yes, auto resetting

### Optical

Beam angle air:	24°, 32° or 50°
Beam angle water:	18°, 24° or 41°
Output:	2,750 lumen
Typical colour temperature:	>5,600 °K

### Environmental

Depth rating:	4,000 m
Test pressure:	600 bar
Storage temperature:	-30 to +70 °C
Operating temperature:	-15 to +50 °C