

LUXUS Compact Low Light Camera



The LUXUS compact low light camera is specially designed for harsh environment diving applications and light ROV systems.

The LUXUS compact low light camera offers excellent performance in conditions where light is limited and when the use of artificial light is impeded by turbidity. Within such environments, the black and white sensor offers high light sensitivity, image quality and viewing performance.

The camera consumes just 2 W and can handle DC power units from 12 to 24 VDC. The camera comes with SubConn® or alternative customer specified connectors.

The LUXUS compact low light camera is designed to function perfectly in combination with the LUXUS compact media controller and LUXUS brackets and accessories.

The camera housing is made from sandblasted titanium and has a depth rating of 4,000 metres.

Features and benefits

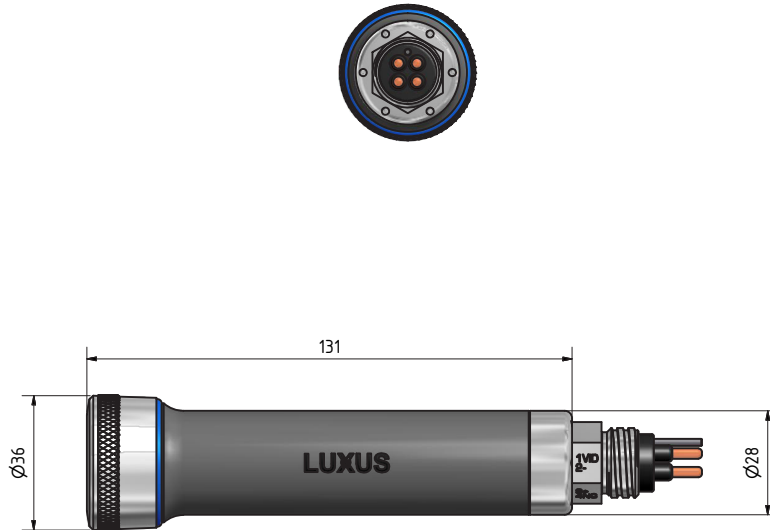
- High performance in turbid environments
- Lightweight
- Compact
- 4,000 m depth rating
- Low light sensitive

Applications

- Diving applications
- General underwater inspection
- Harbour inspection
- Sewer inspection
- ROV systems
- Trencher systems
- Crawler systems
- Tow and drop camera systems
- Benthic sledge systems
- Underwater observatory systems

Options

- A range of lenses
- Alternative connectors
- Custom wiring
- NTSC or PAL
- LUXUS universal mounting bracket
- LUXUS helmet mounting bracket
- LUXUS pistol grip bracket
- LUXUS dovetail bracket
- LUXUS long line driver



Specifications

Electrical

Power supply:	12-24 VDC
Power consumption:	2 W
Output:	Video Composite 1 Vpp
Signal to noise ratio:	>52 dB
Standard wiring:	1 video hot 2 power Gnd/screen 3 power + 4 NC

Mechanical

Material:	Titanium
Standard connector:	SubConn® MCBH4M Ti
Other connectors:	On request
Dimensions:	See drawing (mm) (1 mm = 0.03937 inch)
Weight:	280 g in air 190 g in water
Window/Lens:	Borosilicate glass

Optical

Sensor:	1/3" BW HAD CCDII
Angle of view (horizontal):	
Air:	80° or (67°)*
Water:	65° or (54°)*
Sensitivity:	0.005 lux
Min. focus distance:	10 cm
Zoom:	No
Iris:	No
Focus:	No
TV lines:	800

Environmental

Depth rating:	4,000 m
Test pressure:	600 bar
Storage temperature:	-30 to +70 °C
Operating temperature:	-10 to +50 °C

*optional